

P3.91 MM

OUTDOOR NOVASTAR IP65

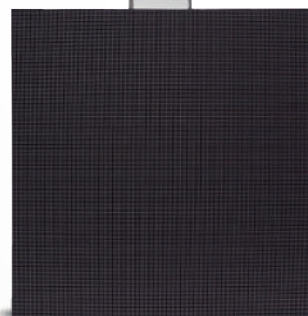
- Turn-key solution.
- Easy installation.
- Ground support compatible.
- Technical support available.
- 3 years warranty included for all parts.
- USA based.
- In stock. Ships immediately.



BACK



FRONT



TECHNICAL SPECIFICATIONS

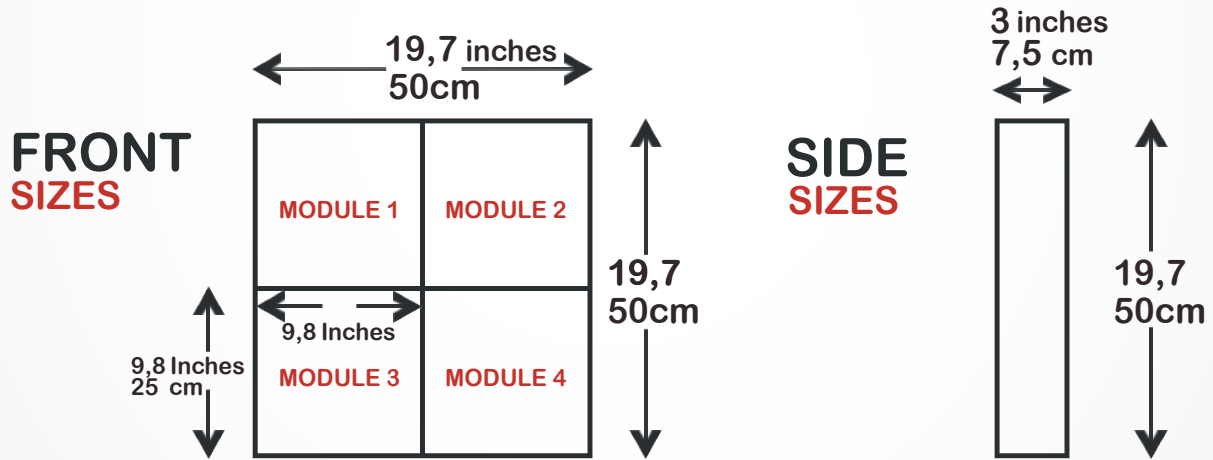
PIXEL PITCH	P3.91 mm
LED ENCAPSULATION	King-Light SMD1921
PIXEL DENSITY	128 x 128
SIZE	500 x 500 x 75mm / 19.7" x 19.7" x 3"
CHIP	IC2153
HIGH REFRESH RATE	3840hz
WEIGHT	18 lbs./ 9 Kg
RECEIVING CARD	NovaStar

POWER SUPPLY

OPERATION POWER	100~240V 50-60Hz
MAX. POWER CONSUMPTION	260W/per panel
AVE. POWER CONSUMPTION	130W/per panel
CONNECTIONS POWER/DATA	Power-PowerCon In/Out; Data EtherCon In/Out

OPTICAL RATINGS

BRIGHTNESS	5500 NITS
PROTECTION RATE	IP65
SCAN	1/16
FRAME FREQUENCY	60 Hz
VIEW ANGLE	Horizontal 140°/Vertical 140°
OPTIMAL VIEW DISTANCE	8 ft (2.4m)
BRIGHTNESS ADJUSTMENT	0~100% 100 Levels



VIEWING DISTANCE

